

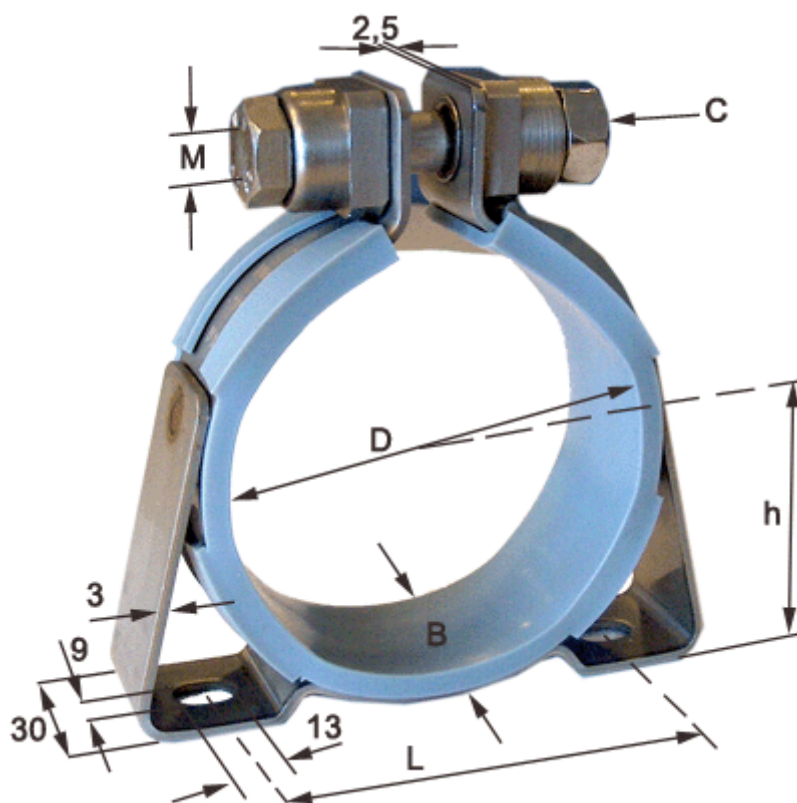
# Data Sheet



Article number: 021816011215

Description: Clamp with bracket and rubber  
SPGU 6011. 215/30 SK

## Measures



C (screw type) = SK hexagon screw

Diameter D = 215

h = 115

L = 216

Width B = 30